



Data sheet, Instructions, Usage precautions

(Italian Law no. 126/91 and D.M. no. 101/97)

Product: Bed with adjustable height

Commercial name: Rising Bed

Materials:		
<ul style="list-style-type: none">• Frame in solid laminated beech wood• Possible features:<ul style="list-style-type: none">-unpainted wood-colouring with natural oils-colouring with water-based varnish	<ul style="list-style-type: none">• Tatami floor (matting in rice straw, cellulose and reed) or wooden floor• Support for Tatami floor made by rollable slatted in birch wood	<p>Lifting mechanism</p> <ul style="list-style-type: none">• No. 4 electrical engines with synchronization control unit and remote control with electric wire for the height adjustment

NOTES FOR SAFETY, INSTRUCTIONS and USAGE PRECAUTIONS

- **NEVER rise or lower the bed if there are people above or below the structure.**
- Before activating the lifting mechanism, make sure that the areas above and below the bed moving sleeping surface are free from objects that might prevent the movement.
If the bed is moved with obstacles above or under it, it is possible that these obstacles will be broken during the descent or ascent, for example the window frame, the door, or other elements and furniture or the Rising structure itself.
The customer must be sure that there are no obstacles to the bed sleeping surface movements before activating it.
To avoid an inappropriate or accidental movement of the bed sleeping surface we recommend:
 - to put the remote control (wireless or not) in a place not easily reachable especially by children and animals.
 - to always use the remote control while looking at the bed.
 - if it is not possible to guarantee a correct usage of the remote control (presence of underaged or guests) the suggestion is to disconnect it from the control unit (the control unit is where all the engine reference cables and the power supply converge). To do this disconnect the RJ cable that connect the remote control to the control unit (for wireless remote control disconnect the RJ cable that connects the receiver to the control unit)
- The remote control must be used only by adults or under an adult supervision. It has always to be used while looking at the bed to be sure that nobody is above or below it.
- The Rising bed must NOT be used for people lifting.
- Do not hang anything to the structure (objects, people, animals)
- It is possible to go up the bed sleeping surface only when it is completely lowered.
- Avoid inappropriate or improper use of the product.
- Do not open doors or windows below the mobile surface.
- When the structure is moving, do not put objects taller than limit of movement (lowest bed level) below the mobile bed surface.
- The maximum load of the bed sleeping surface when it is lowered is 400 Kg.
- The load of the Rising bed, reported on the relevant label put on one of the frame beams, identifies the maximum load meant as equally handed out.
If, for any reason, the label may be missing or not readable it has to be quickly requested to Cinius and attached to one of the beams.
- The bed sleeping surface is designed to carry, when down, a maximum static weight of 400 kg added to the weight of the frame.
- Try to equally allocate the load on the bed sleeping surface.
- The bed is self-supporting but as for all the tall furniture it is kindly suggested to fix it to the walls to avoid oscillations. Then at least once a year, the customer should check the anchoring system to the walls or ceiling. If the anchoring points to the walls would turn out to be unsteady (for different reasons: impacts, earthquakes,...) the customer must immediately intervene in order to reactivate the anchoring.
- The customer is aware that Rising beds are raised structures so for safety (especially if there are children) a railing is needed. The type of safety railing can be chosen by the customer at the order.
If after receiving the bed the customer decides to modify type or size of the safety railing he can contact Cinius for a quotation.
The safest railing is the one with vertical sticks 90cm high at a distance of 10cm from each other; the railing with just horizontal elements 25 - 40 -60 -80cm high is safe but not recommended if the bed is used by children. The railing must be fixed to every side of the bed that is not protected by walls or furniture (in any case these should be not further than 5cm. from the structure). Accordingly to the ladder position it is allowed to have an opening. Also the ladder, if it is a Yen type, should have a railing.
- Avoid leaning strongly on the safety railing.
- The bed must not be stressed horizontally, for example do not modify the frame or do not hang anything that swings, avoid rhythmic movements over the bed sleeping surface.
- The lifting system has been studied for a domestic use (max. 6 mins/h and not more than 2 continuous minutes)
- The bed not completely lowered might drop down if the total weight of the frame and the objects above it exceeds the engine power (see "Weight and dimensions chart").



- If you try to rise the bed while it is carrying weight exceeding the lifting capacity of the engines, these could be damaged (see "Weight and dimensions chart").
- Do not let liquids drip into the columns.
- To clean the wooden frame use only products suitable for the specific usage.
- To clean the metal parts use only products suitable for the specific usage.
- To clean the tatami use only products suitable for the specific usage (see also: "Tatami maintenance").
- In case of frame arrest do not try to force the bed sleeping surface.
- In case of frame arrest see: "Problems solution " below.
- Be careful not to put any materials in the cracks between the fix and the mobile part of the columns
- If the bed sleeping surface is placed next to bookcases or wardrobes or other furniture be careful that there are not hanging out objects along the bed sleeping surface up and down way.
- Solutions where the bed sleeping surface lifting is very near to the ceiling are not recommended as it could be dangerous (object left on the bed could be squashed against the ceiling).
- If there are strong noises or creakings it is necessary to verify possible wrong grades of the columns that cause frictions, to apply paraffin oil to the part of the column going up and down, to check the wall joints. If the strong noise continues and comes from one of the engines refer to assistance.
- The electrical system is supplied by 220V AC or 110V AC according to the country where it is used. It is strongly recommended the use of power stabilizer in order to avoid damages to the control unit caused by sudden change in voltage.
- If you think you are in an area where there might be sudden change in voltage it is recommended to adopt a power stabilizer.
- If you think you are in an area where the electricity often goes off it is recommended to adopt an uninterruptible power supply (UPS).

Notes for assembling and disassembling

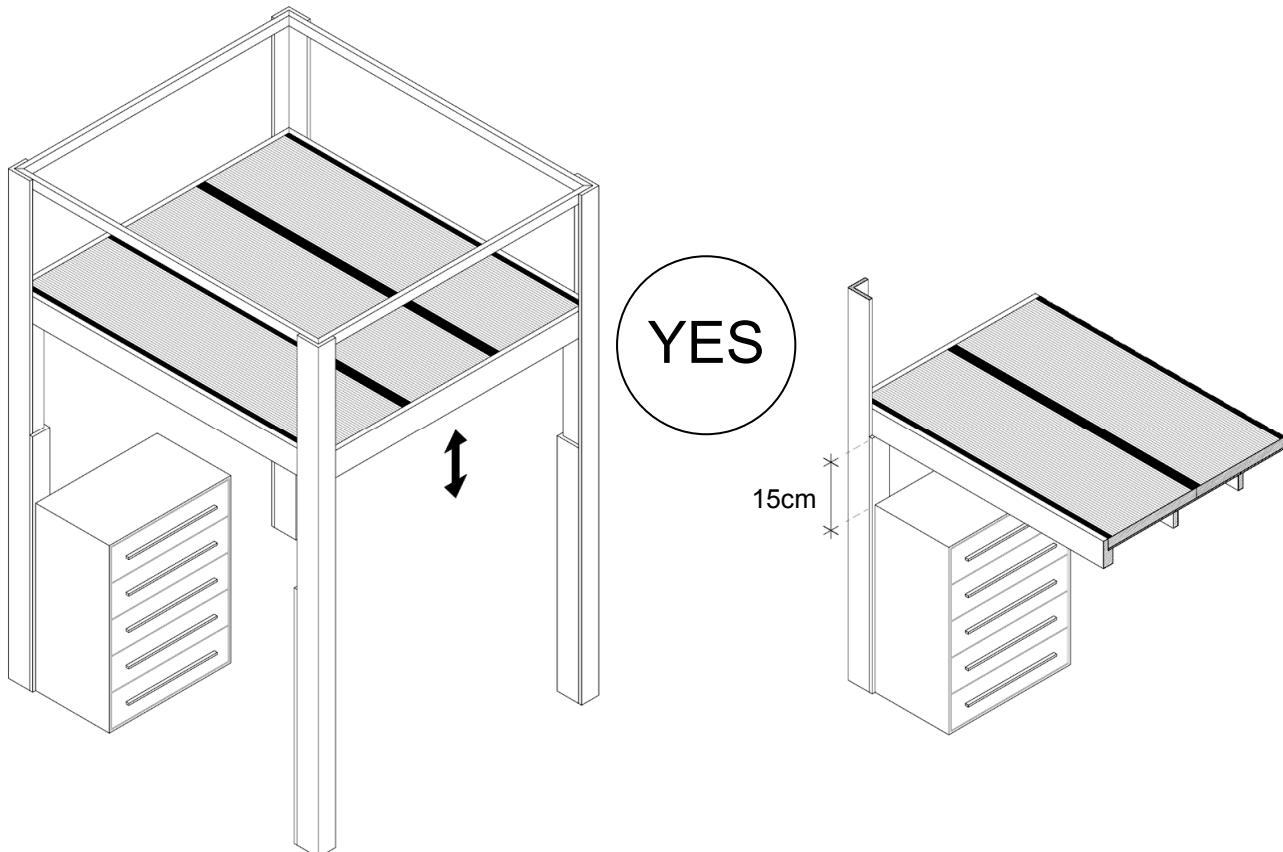
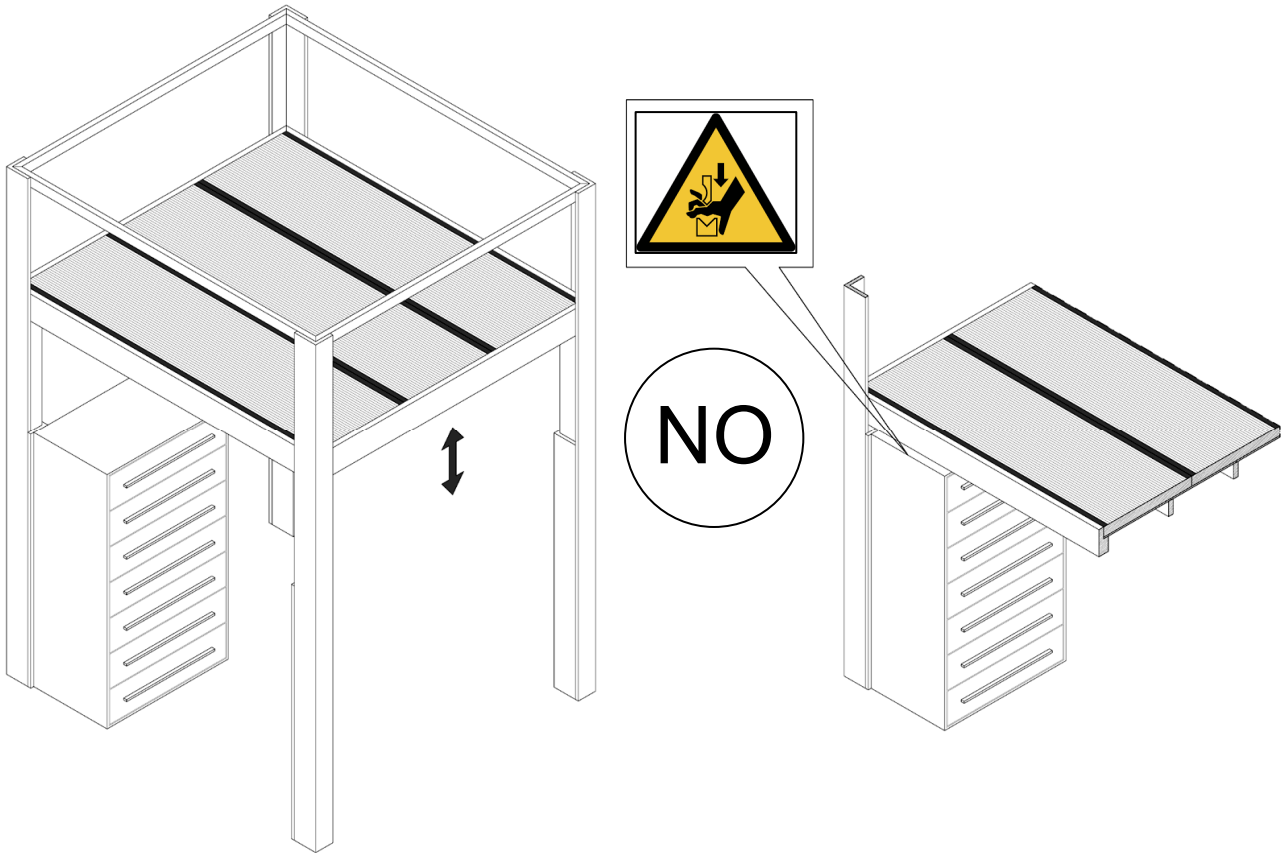
- The Rising bed must be assembled by qualified and professional staff, if the customer should in the future disassemble and re-assemble the bed, it must be kept the former anchoring system to the walls or ceiling.
- The bed is self-supporting but as for all the tall furniture it is kindly suggested to fix it to the walls to avoid oscillations. The fixing should be made to the room walls in one of the following ways:
 - anchored to two corner walls
 - anchored to two opposite walls
 - anchored to just one wall and with the two columns far from the wall fixed to the ceiling.
- The columns near to the walls must be fixed with fischer suitable to the type of wall. It is suggested to leave a crack (thickness 10-12 mm.) between the column and the wall
- When fixing the column make sure that it is vertical (using a bubble level). If the wall is not vertical it is not necessary that the column "follow" the wall.
- The horizontal mobile bed surface must be horizontal as much as possible. In order to correct potential differences thicken where the mobile bed surface leans against the engine clamp.
- The ring of wooden beams fixed on top of columns can be removed only if the 4 columns are fixed to the walls or the ceiling.
- Do not assemble the frame on floors that cannot support a weight of minimum 150 Kg per foot.
- If the floor is covered with a fitted carpet it is suggested to remove it from the area where there is the columns, otherwise apply glue or silicone to stabilize the column itself (note: if the column is not fixed to the floor, potential strikes can modify the column verticality to disadvantage of the correct bed functionality).
- Check that the access ladder is well anchored and stable.
- To replace one or more engines it is necessary to disassemble the mobile bed surface; then the engine must be taken away from the columns pulling it towards the top (make sure that you do not pull the engines by the electrical wires that are very delicate and they can easily come off).

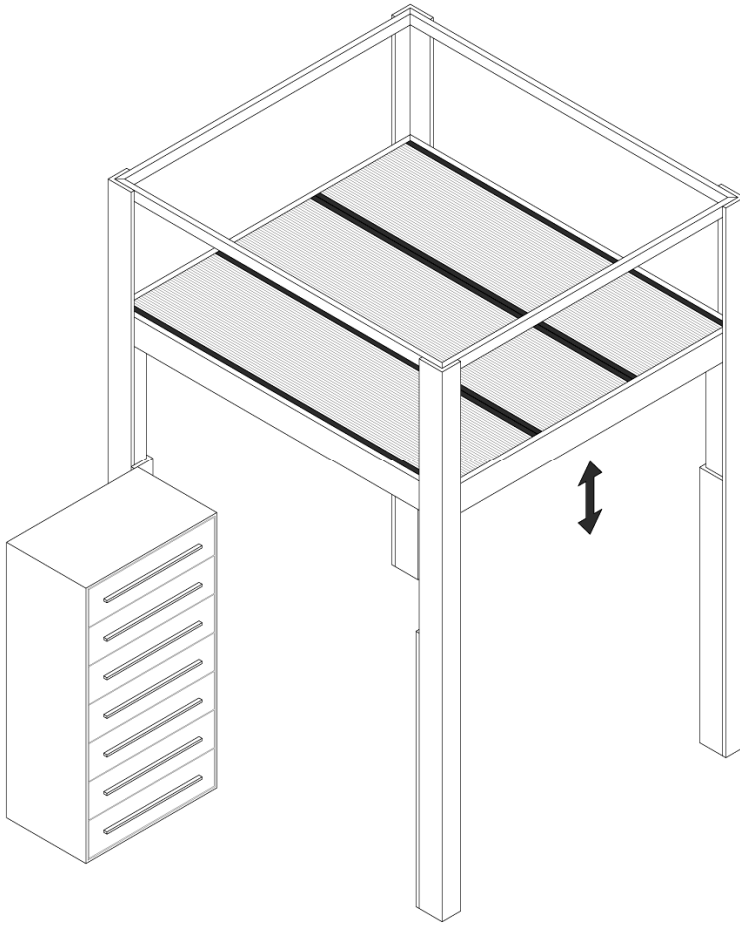
ATTENTION to the furniture you put beside or under the Rising bed

There must always be:

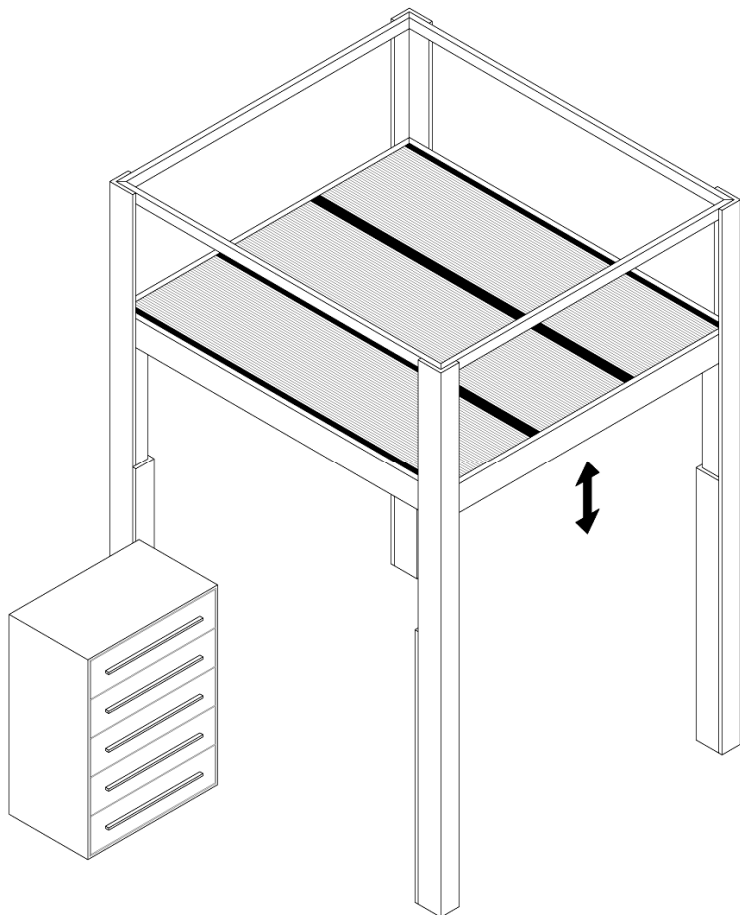
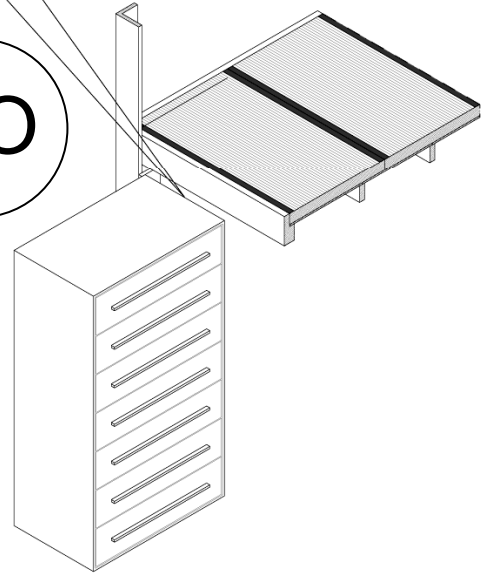
- at least 15cm free space over the bed in its highest position
- at least 15cm free space under the bed in its lowest position

See some examples below:



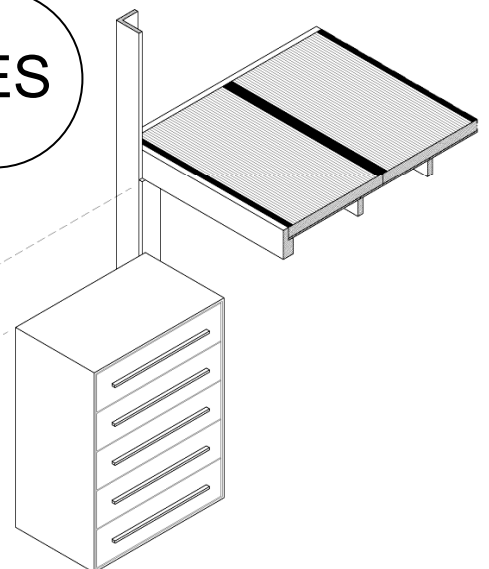


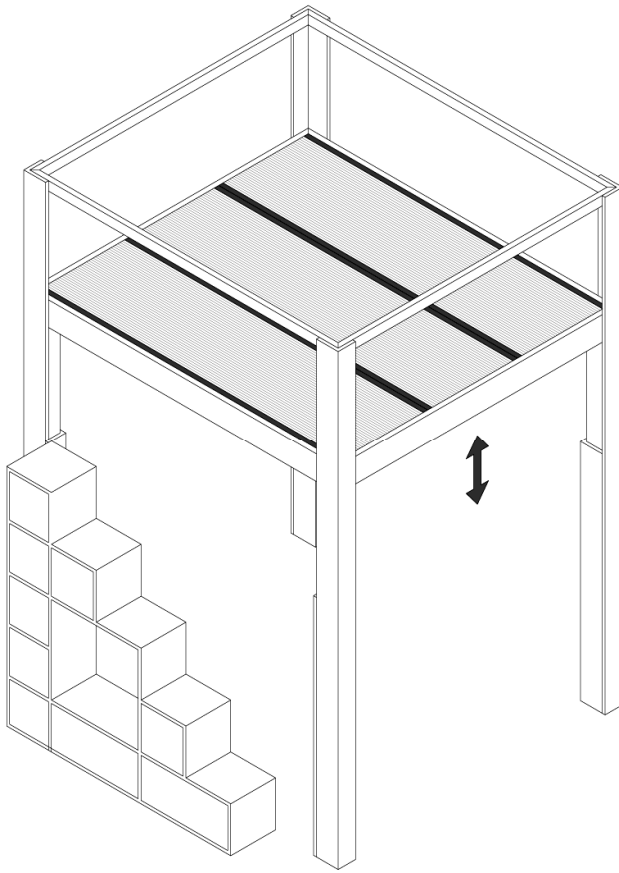
NO



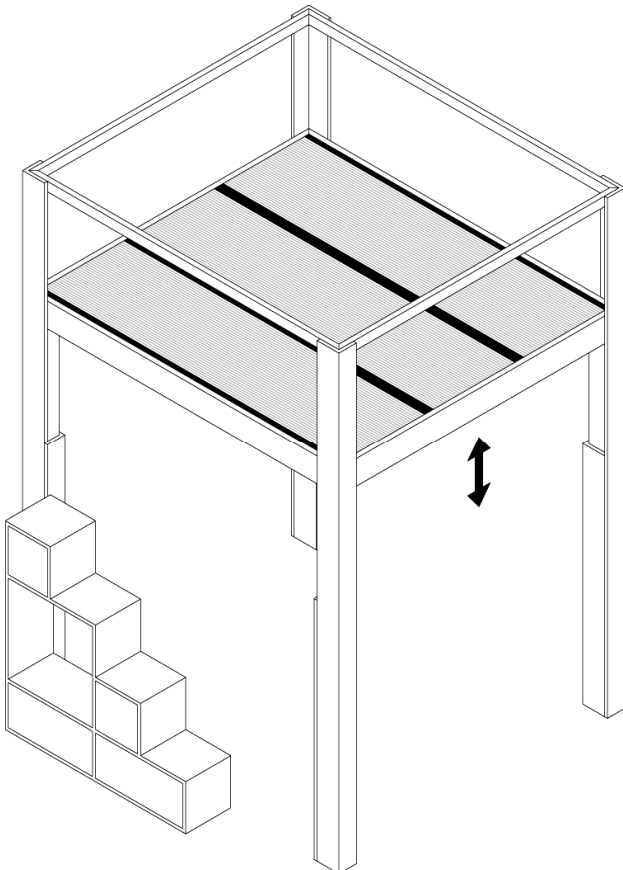
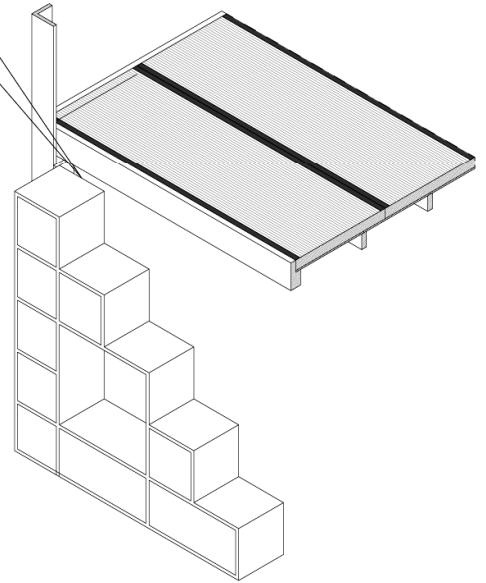
YES

15cm



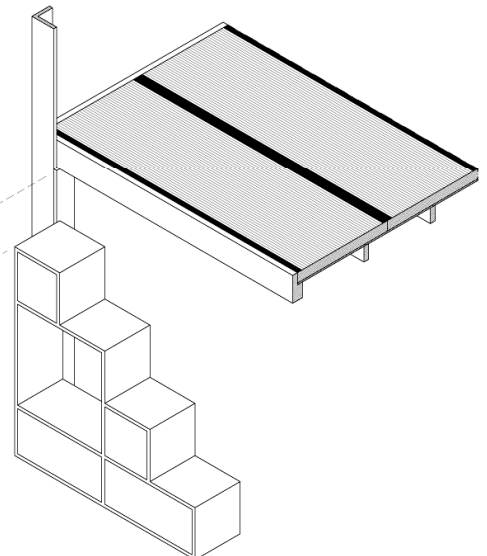


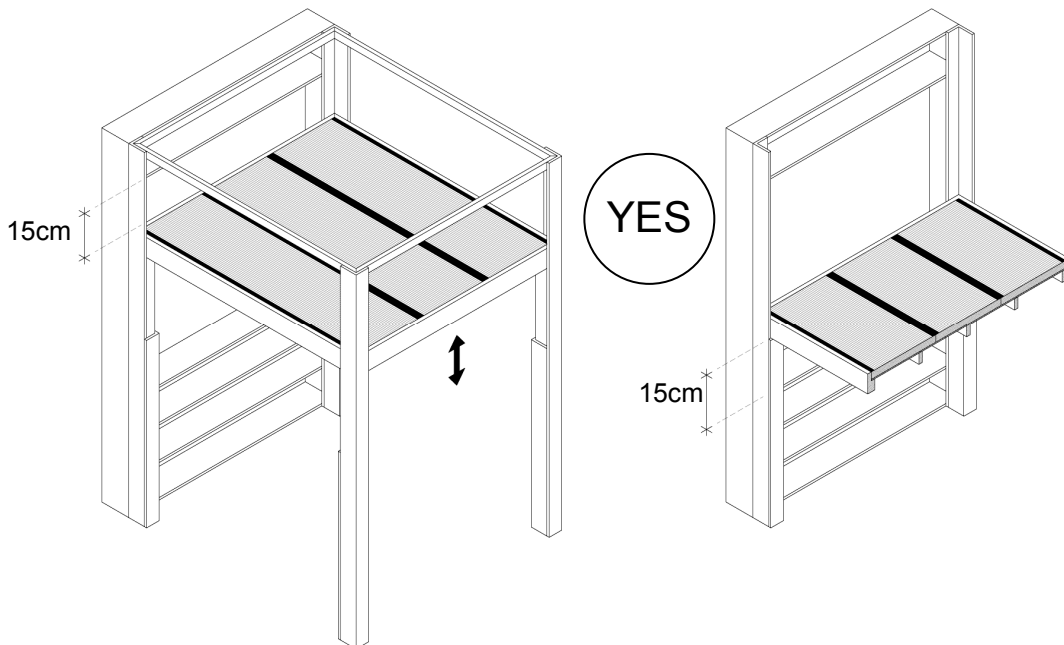
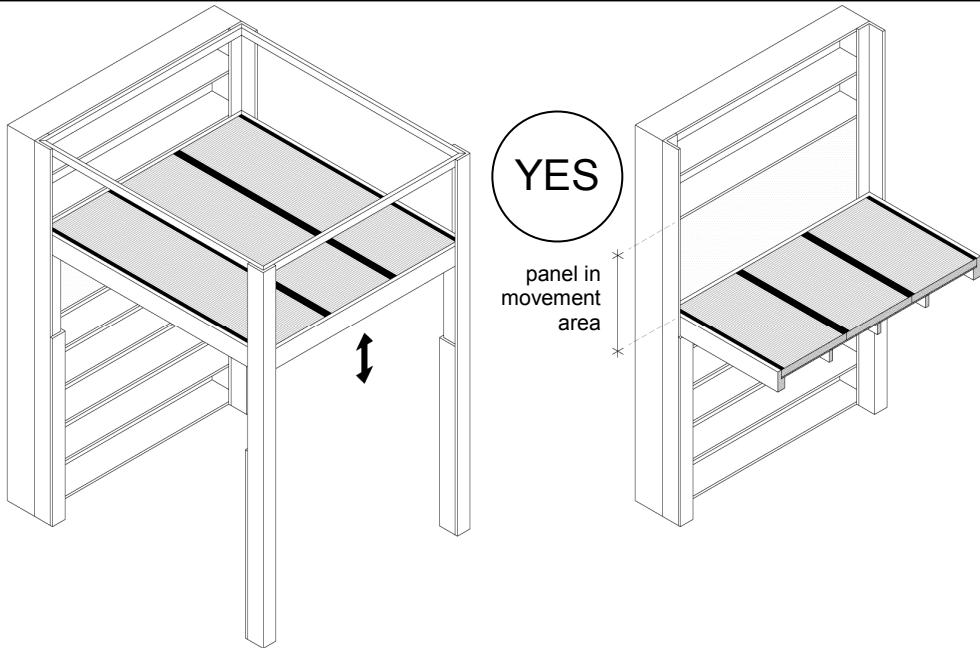
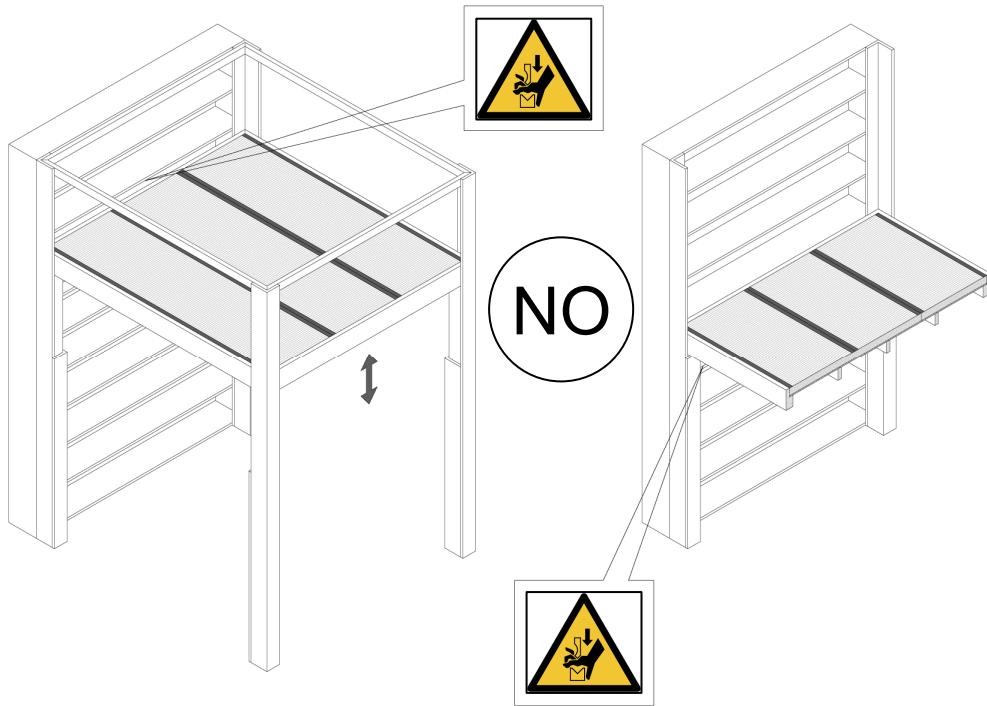
NO



YES

15cm







Ordinary maintenance of Tatami and mattress (if present)

The Tatami is a natural product in rice straw; in itself the rice straw is not food for any acarus or insect, then the dust and our skin can fall on the Tatami becoming "food" for acarus or insects. It is therefore necessary to vacuum the Tatami montly and air it out moving the mattress.

For the cleaning or the removal of potential acarus or insects it is recommended to clean the Tatami with a damp cloth soaked by water and white vinegar diluted 1 to 5 or to spray some ecological anti-parasitic containing pyrethrum.

The mattress put on the Tatami must be aired more frequently (at least once a month) to let the Tatami and mattress "breathe" and to avoid damp stagnation that can occur in the wettest months or caused by sweating.

The suggested process is:

- Open the windows
- Take the mattress away from the Tatami
- Move the mattress so that the side in contact with the Tatami can "breathe".

Problems solution

In case of lifting system stop, before contacting the customer service:

- Check that the socket is working and well connected.
- Try the following control unit reset procedure:
 - Bring the moving bed surface at the lowest level.
 - Push the button "down arrow" on the remote control and keep it pushed for at least 5 – 8 sec. Until there is a slight adjustment movement; after that try if the mechanism works properly otherwise repeat again the reset process several times.
- Unplug and plug in again every socket and wire in the control unit
- The control unit is sensitive to sudden change in voltage. In case of system stop, after trying the reset procedure (see above), for control unit with safety fuse 2 A (250V) try to replace the fuse. If the fuse is burnt, to avoid that this inconvenience occurs again (with potential damages to the control unit) it is recommended to apply a power stabilizer.

If, with the above mentioned systems the problem is not solved, the control unit, the engines or the connection cables could be damaged. (See: Guarantee and Assistance)

If the wireless remote control seems to be out of order (but the wired remote control works), before contacting the assistance try the following procedure of "alignment/synchronisation":

- Find the reset hole on the receiver box of the remote control (little black box about 15x5x5cm)
- Put a needle or a pen point inside the hole and push while pushing at the same time the lifting button on the wireless remote control

Disposal procedure

The product no more used must not be wasted in the environment, but disposed for recycling according to the regulations in force.

Technical data of lifting mechanism:

- Tension: 220-240V AC, 50 – 60 Hz (on request we can supply components 120V AC tension)
- Consumption in stand-by mode: 1.6W
- Maximum power of lifting mechnism:
 - with standard engines-65: 4x700 = 2800 N
 - with "long – excursion-95" engines: 4x600 = 2400 N
 - with "upgraded-65" engines: 4x 1200 = 4800 N
- Speed: up to 43mm/s
- Typical consumption: 7.8 amp
- Working cycle: max 6 mins/h and not more than 2 continuous mins
- Working temperature: from +5°C to +40°C
- Approved according to the EN directive 60335-1 and UL 962

Electrical components list

- no.1 Control unit
- no.1 Electrical cable with Schuko plug
- no.1 Wired remote control
- no.3 Engine cables 2.5 mt
- no.1 Engine cable 1.0 mt
- Extension cords for engine cable 2 mt, in right quantity for the dimension of the bed



RISING bed – Weight and dimensions chart (updated 2019/01/01)

Model	Ext. size (cm)	Useful area (cm)	Bed approx. weight including columns (Kg)	Lifting capacity incl. mobile surface weight with 4 Standard Engines excursion 65cm from 700 Newton ea.	Lifting capacity incl. mobile surface weight with 4 Engines excursion 96.5cm from 600 Newton ea.	Lifting capacity incl. mobile surface weight with 4 Upgraded Engines excursion 65cm from 1200 Newton ea.
Rising 090 with standard tatami	101x211	90x200	181	148 Kg	107 Kg	352 Kg
Rising 090L with standard tatami	101x241	90x230	192	137 Kg	96 Kg	341 Kg
Rising 100 with standard tatami	111x211	100x200	187	142 Kg	101 Kg	346 Kg
Rising 100L with standard tatami	111x241	100x230	199	130 Kg	89 Kg	334 Kg
Rising 120 with standard tatami	131x211	120x200	212	117 Kg	(76Kg) Not allowed as lower than 80 Kg	321 Kg
Rising 120L with standard tatami	131x241	120x230	227	102 Kg	(61Kg) Not allowed as lower than 80 Kg	306 Kg
Rising 120 with light tatami	131x211	120x200	173	156 Kg	115 Kg	360 Kg
Rising 120L with light tatami	131x241	120x230	184	145 Kg	104 Kg	349 Kg
Rising 140 with standard tatami	151x211	140x200	224	105 Kg	(64Kg) Not allowed as lower than 80 Kg	309 Kg
Rising 140L with standard tatami	151x241	140x230	241	88 Kg	(47Kg) Not allowed as lower than 80 Kg	292 Kg
Rising 140 with light tatami	151x211	140x200	180	149 Kg	108 Kg	353 Kg
Rising 140L with light tatami	151x241	140x230	190	139 Kg	98 Kg	343 Kg
Rising 160 with light tatami	171x211	160x200	186	143 Kg	102 Kg	347 Kg
Rising 160L with light tatami	171x241	160x230	197	132 Kg	91 Kg	336 Kg
Rising 180 with light tatami	191x211	180x200	193	136 Kg	95 Kg	340 Kg
Rising 180L with light tatami	191x241	180x230	204	125 Kg	84 Kg	329 Kg
Rising 210 with light tatami	221x211	210x200	215	114 Kg	(73Kg) Not allowed as lower than 80 Kg	318 Kg
Rising 210L with light tatami	221x241	210x230	229	100 Kg	(59Kg) Not allowed as lower than 80 Kg	304 Kg
Rising 240 with light tatami	251x211	240x200	225	104 Kg	(63Kg) Not allowed as lower than 80 Kg	308 Kg
Rising 240L with light tatami	251x241	240x230	240	89 Kg	(48Kg) Not allowed as lower than 80 Kg	293 Kg
Rising 270 with light tatami	281x211	270x200	231	98 Kg	(57Kg)) Not allowed as lower than 80 Kg	302 Kg
Rising 270L with light tatami	281x241	270x230	250	(79Kg) Non Permessso in quanto sotto 80 Kg	(38Kg)) Not allowed as lower than 80 Kg	283 Kg
Rising 320 with light tatami	331x211	320x200	263	(66Kg) Non Permessso in quanto sotto 80 Kg	(25Kg)) Not allowed as lower than 80 Kg	270 Kg
Rising 320L with light tatami	331x241	320x230	282	(47Kg) Non Permessso in quanto sotto 80 Kg	(6Kg)) Not allowed as lower than 80 Kg	251 Kg
Rising 340 with light tatami	351x211	340x200	270	(59Kg) Non Permessso in quanto sotto 80 Kg	(18Kg)) Not allowed as lower than 80 Kg	263 Kg
Rising 340L with light tatami	351x241	340x230	289	(40Kg) Non Permessso in quanto sotto 80 Kg	(-1Kg)) Not allowed as lower than 80 Kg	244 Kg
Rising 350 with light tatami	361x211	350x200	273	(56Kg) Non Permessso in quanto sotto 80 Kg	(15Kg)) Not allowed as lower than 80 Kg	260 Kg
Rising 350L with light tatami	361x241	350x230	293	(36Kg) Non Permessso in quanto sotto 80 Kg	(-5Kg)) Not allowed as lower than 80 Kg	240 Kg
Rising 360 with light tatami	371x211	360x200	276	(53Kg) Non Permessso in quanto sotto 80 Kg	(12Kg)) Not allowed as lower than 80 Kg	257 Kg
Rising 360L with light tatami	371x241	360x230	296	(33Kg) Non Permessso in quanto sotto 80 Kg	(-8Kg)) Not allowed as lower than 80 Kg	237 Kg



GUARANTEE AND ASSISTANCE

The guarantee is valid for two years for private citizens and one year for legal entities.

According to the law the customer must prove the purchase date showing copy of the invoice or the sales receipt (owing to privacy reasons Cinius cannot keep the order documents).

The guarantee does not cover damages / malfunctionings caused by wrong usage according to what reported on the technical sheet (f.i. exceeding or wrong usage of the lifting system) or also the accidental damages caused by external events like earthquakes.

If the product is still under guarantee the procedure is:

- disassemble the faulty part and bring it (or send it) to the store where it has been purchased.
- the store will send the part to the laboratory for the problem analysis.
- after found the damage, the part will be repaired or replaced for free if the malfunctioning was not due to an inaccurate use.

If the customer does not want to stay without engines and / or control unit while the laboratory is checking the problem Cinius offers the possibility to purchase a new engine or control unit at a very convenient price.

If, after the laboratory checking, the engines or control unit will indeed result faulty for causes covered by the guarantee, Cinius will refund the cost paid by the customer for the purchase of new engines.

Before going to the store be sure that the spare parts will be available.

If the customer asks for fee-charging assistance for example to disassemble the bed or some malfunctioning parts the price of the service is on hourly basis adding the transfert costs for the staff depending on the distance and so they have to be evaluated time after time (generally for disassembling and re-assembling of a frame with engines replacement are necessary three hours of work of a 2-people team).

To avoid the double cost of transfert for the assembling of malfunctioning parts Cinius suggest to evaluate the quotation for purchase at convenient price (see above)